

STAHL* STYLE

PERFORATORS

SLITTERS & SCORES

BLADES IN THIS CATALOG ARE
COMPATIBLE WITH STAHL
FOLDERS.

SHAFT SIZES;

20mm

25mm

35mm

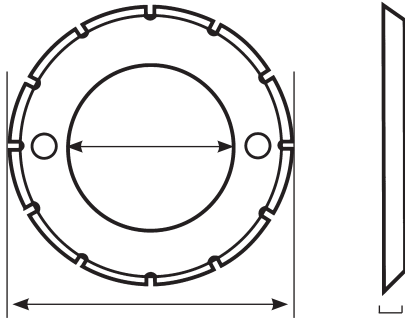
50mm



update LTD YOUR UNLIMITED SOURCE
FOR FINISHING PARTS & EQUIPMENT

1.800.229.0009 | www.update ltd.com | sales@update ltd.com

Tips on Choosing Correct Blades

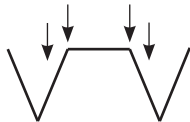


ID: Inner Diameter
OD: Outer Diameter
#Teeth: Number of teeth on perfs
TPI: Number of teeth per inch
Thick: Thickness of perf

This guide is organized first by shaft size (smallest to largest), then by number of teeth (fewest to most - except micro perfs).

All images in this guide are actual size for comparison.

“V” Shaped Tooth



- Maximizes the distance between each tooth in perfs with a low number of teeth such as 6, 8, 12 or 18
- Increases the strength of the teeth in perfs with a high number of teeth such as 60, 72, 80 or more
- Lower number of teeth (12-18) are better for backbone on perfect bound books - signatures won't tear

If shaft is adjustable, a slightly wider perf cut can be made.

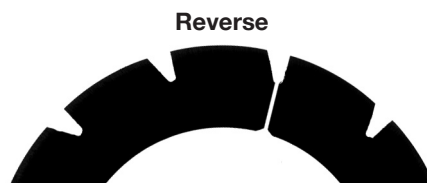
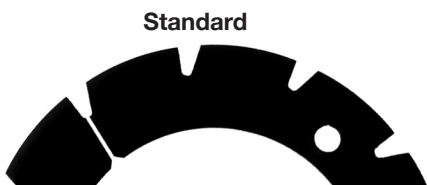
Crimping Perf

- Holds sheets together temporarily
 - Used for processing zig-zag folded sheets on a gather - stitcher and envelopes on a perfect binder
-

Knockout (punch) Perf

- Use when printed product needs perforation in the spine for adhesive binding or air relief
-

Reverse Tooth



- Assumes blades are placed on upper slitter shaft
 - Holds folds together on 16 page books
-

Round Tooth



- Good for perfining multiple sheets at a time
-



ID	OD	#Teeth	Thick
26mm	39mm	10	0.5mm
Stahl#	200-750-06-00		
Update#	SP200		



ID	OD	#Teeth	Thick
26mm	39mm		0.5mm
Stahl#	200-750-05-00		
Update#	SP300		



ID	OD	#Teeth	Thick
26mm		40	0.5mm
Stahl#	217-636-01-00		
Update#	SP240		



ID	OD	#Teeth	Thick
26mm		58	0.5mm
Stahl#			
Update#	SP829		



ID	OD	#Teeth	Thick
	37.5mm	60	0.5mm
Stahl#	217-636-02-00		
Update#	SP400		



ID	OD	#Teeth	Thick
	44.5mm	8	0.5mm
Stahl#	200-771-02-00		
Update#	SP209		



ID	OD	#Teeth	Thick
30mm	48mm	9	0.5mm
Stahl#	200-761-01-00		
Update#	SP092 - ROUND		



ID	OD	#Teeth	Thick
30mm		10	0.5mm
Stahl#	200-750-02-00		
Update#	SP900		



ID	OD	#Teeth	Thick
30mm	48mm	10	0.5mm
Stahl#	200-766-01-00		
Update#	SP190 - Round		



ID	OD	#Teeth	Thick
30mm	50.5mm	10	1.2mm
Stahl#	213-038-01-00		
Update#	KP318 - Knockout		



ID	OD	#Teeth	Thick
30mm	48mm	12	0.5mm
Stahl#	205-485-01-00		
Update#	SP729		



ID	OD	#Teeth	Thick
	48mm	12	
Stahl#	200-759-05-00		
Update#	SP438		



ID	OD	#Teeth	Thick
	45.5mm	15	0.5mm
Stahl#	200-750-03-00		
Update#	SP930		



ID	OD	#Teeth	Thick
30mm	48mm	15	0.5mm
Stahl#	205-908-02-00		
Update#	SP920		



ID	OD	#Teeth	Thick
30mm	48mm	15	0.5mm
Stahl#	200-766-03-00		
Update#	SP920spec - Round		



ID	OD	#Teeth	Thick
30mm	48mm	15	0.5mm
Stahl#			
Update#	SP828		



ID	OD	#Teeth	Thick
30mm	48mm	18	0.5mm
Stahl#	200-759-03-00		
Update#	SP955		



ID	OD	#Teeth	Thick
30mm	47mm	20	2mm
Stahl#	213-201-01-00		
Update#	SP388 - Crimp		



ID	OD	#Teeth	Thick
30mm	48mm	24	
Stahl#	205-990-01-00		
Update#	SP987		



ID	OD	#Teeth	Thick
30mm	48mm	30	0.5mm
Stahl#	200-758-02-00		
Update#	SP925		



ID	OD	#Teeth	Thick
30mm		40	
Stahl#	200-758-03-00		
Update#	SP910		



ID	OD	#Teeth	Thick
30mm		40	
Stahl#	200-758-04-00		
Update#	SP921		



ID	OD	#Teeth	Thick
30mm	45.5mm	50	
Stahl#			
Update#	SP568		



ID	OD	#Teeth	Thick
30mm	45.5mm	60	0.5mm
Stahl#	200-758-05-00		
Update#	SP990		



ID	OD	#Teeth	Thick
30mm	48mm	60	0.5mm
Stahl#	200-758-06-00		
Update#	SP911		



ID	OD	#Teeth	Thick
30mm	45.5mm	72V	0.5mm
Stahl#			
Update#	SP128		



ID	OD	#Teeth	Thick
30mm	48mm		0.5mm
Stahl#	200-759-06-00		
Update#	SP222		



ID	OD	#Teeth	Thick
40mm	62mm	5	0.5mm
Stahl#	200-769-02-00		
Update#	SP908 - Round		



ID	OD	#Teeth	Thick
40mm		6	
Stahl#	200-756-07-00		
Update#	MS290		



ID	OD	#Teeth	Thick
40mm	62mm	6V	0.5mm
Stahl#			
Update#	SP720		



ID	OD	#Teeth	Thick
40mm	61.5mm	8	0.5mm
Stahl#			
Update#	SP538spec		



ID	OD	#Teeth	Thick
40mm	61.5mm	8	0.5mm
Stahl#			
Update#	SP228		



ID	OD	#Teeth	Thick
40mm	62mm	8	0.5mm
Stahl#	200-756-08-00		
Update#	MS291		



ID	OD	#Teeth	Thick
40mm	62mm	10	0.5mm
Stahl#			
Update#	SP502		



ID	OD	#Teeth	Thick
40mm	62mm	10	0.5mm
Stahl#			
Update#	KP378 - Knockout		



ID	OD	#Teeth	Thick
40mm	62mm	12	0.5mm
Stahl#	200-749-01-00		
Update#	MS292		



ID	OD	#Teeth	Thick
40mm	62mm		0.5mm
Stahl#			
Update#	MS292-s		



ID	OD	#Teeth	Thick
40mm	62mm	12	0.5mm
Stahl#	205-978-01-00		
Update#	SP808 - Reverse		



ID	OD	#Teeth	Thick
40mm	62mm	12	1.2mm
Stahl#			
Update#	KP718 - Knockout		



ID	OD	#Teeth	Thick
40mm	64mm	12	0.5mm
Stahl#			
Update#	MS296		



ID	OD	#Teeth	Thick
40mm	64mm	12	0.9mm
Stahl#	213-027-01-00		
Update#	KP418 - Knockout		



ID	OD	#Teeth	Thick
40mm	64mm	12	1.2mm
Stahl#			
Update#	KP997 - Knockout		



ID	OD	#Teeth	Thick
40mm	64mm	12	0.5mm
Stahl#	213-028-01-00		
Update#	KP518 - Knockout		



ID	OD	#Teeth	Thick
40mm	62mm	12	0.5mm
Stahl#			
Update#	SP650		



ID	OD	#Teeth	Thick
	62mm	15	0.5mm
Stahl#	200-756-09-00		
Update#	SP289		



ID	OD	#Teeth	Thick
40mm	62mm	15	0.5mm
Stahl#	200-769-01-00		
Update#	SP802 - Round		



ID	OD	#Teeth	Thick
	62mm	16	0.5mm
Stahl#			
Update#	SP600		



ID	OD	#Teeth	Thick
40mm	62mm	16	0.5mm
Stahl#			
Update#	SP188 - Reverse		



ID	OD	#Teeth	Thick
40mm	60mm	18	0.5mm
Stahl#			
Update#	SP488		



ID	OD	#Teeth	Thick
40mm	62mm	18	0.5mm
Stahl#	200-749-02-00		
Update#	MS293		



ID	OD	#Teeth	Thick
40mm	62mm	18	0.5mm
Stahl#	200-765-01-00		
Update#	SP640s		



ID	OD	#Teeth	Thick
40mm	62mm	18	1mm
Stahl#	205-978-02-00		
Update#	SP590 - Reverse		



ID	OD	#Teeth	Thick
40mm	64mm	18	0.5mm
Stahl#			
Update#	MS297		



ID	OD	#Teeth	Thick
40mm	62mm	18V	0.5mm
Stahl#	226-350-02-00		
Update#	SP928		



ID	OD	#Teeth	Thick
40mm	62mm	18V	0.5mm
Stahl#			
Update#	SP288		



ID	OD	#Teeth	Thick
40mm	62mm	24	2mm
Stahl#	273-918-01-00		
Update#	CP924 - Crimp		



ID	OD	#Teeth	Thick
40mm	60mm	28	0.5mm
Stahl#			
Update#	SP588		



ID	OD	#Teeth	Thick
40mm	61.5mm	28	0.5mm
Stahl#	210-621-01-00		
Update#	MN820		



ID	OD	#Teeth	Thick
40mm	62mm	30	0.5mm
Stahl#			
Update#	MS294		



ID	OD	#Teeth	Thick
40mm	64mm	30	0.5mm
Stahl#			
Update#	SP060		



ID	OD	#Teeth	Thick
40mm	62mm	30V	0.5mm
Stahl#			
Update#			



ID	OD	#Teeth	Thick
40mm	62mm	32V	0.5mm
Stahl#			
Update#			



ID	OD	#Teeth	Thick
40mm	60mm	36	0.5mm
Stahl#			
Update#			



ID	OD	#Teeth	Thick
40mm	61.5mm	8	0.5mm
Stahl#			
Update#			



ID	OD	#Teeth	Thick
40mm	61.5mm	10	0.5mm
Stahl#			
Update#			



ID	OD	#Teeth	Thick
40mm	62mm	18	0.5mm
Stahl#			
Update#			



ID	OD	#Teeth	Thick
40mm	61mm	28	0.5mm
Stahl#			
Update#			



ID	OD	#Teeth	Thick
	60mm	48	0.5mm
Stahl#			
Update#			



ID	OD	#Teeth	Thick
40mm	100mm	9	0.8mm
Stahl#			
Update#			



ID	OD	#Teeth	Thick
40mm	100mm	13	0.5mm
Stahl#			
Update#			



ID	OD	#Teeth	Thick
40mm	100mm	13	0.5mm
Stahl#			
Update#			



ID	OD	#Teeth	Thick
40mm	100mm	18	0.5mm
Stahl#			
Update#			



ID	OD	#Teeth	Thick
40mm	100mm	24	0.5mm
Stahl#			
Update#			



ID	OD	#Teeth	Thick
40mm	100mm	26	0.5mm
Stahl#			
Update#			



ID	OD	#Teeth	Thick
40mm	100mm	26	1.0mm
Stahl#			
Update#			



ID	OD	#Teeth	Thick
40mm	60mm	124	0.5mm
Stahl#			
Update#	SP608		



ID	OD	#Teeth	Thick
55mm	79mm	9	0.5mm
Stahl#	200-748-04-00		
Update#	SP637		



ID	OD	#Teeth	Thick
55mm	81mm	16	0.9mm
Stahl#	213-031-01-00		
Update#	KP618 - Knockout		



ID	OD	#Teeth	Thick
55mm	78.5mm	18	0.5mm
Stahl#	205-981-02-00		
Update#	SP906		



ID	OD	#Teeth	Thick
55mm	79mm	18V	0.5mm
Stahl#	226-349-01-00		
Update#	SP218		



ID	OD	#Teeth	Thick
55mm	78.5mm	30	0.5mm
Stahl#	205-981-01-00		
Update#	SP909		



ID	OD	#Teeth	Thick
55mm	78.5mm	40	0.5mm
Stahl#	200-748-03-00		
Update#	SP902		



ID	OD	#Teeth	Thick
55mm	78.5mm	70	0.5mm
Stahl#	200-755-01-00		
Update#	SP905		



ID	OD	#Teeth	Thick
26mm	37.5mm		0.8mm
Stahl#	200-742-11-00		
Update#	SS607 - Score		



ID	OD	#Teeth	Thick
26mm	40mm		0.5mm
Stahl#	200-747-11-00		
Update#	SS202 - Slitter		



ID	OD	#Teeth	Thick
26mm	40mm		1.0mm
Stahl#	226-341-01-00		
Update#	SS205 - Slitter		



ID	OD	#Teeth	Thick
26mm	42mm		0.5mm
Stahl#			
Update#	SS440 - Slitter		



ID	OD	#Teeth	Thick
30mm	45mm		0.8mm
Stahl#	200-742-04-00		
Update#	SS402 - Score		



ID	OD	#Teeth	Thick
30mm	47.5mm		0.8mm
Stahl#			
Update#	SS201 - Score		



ID	OD	#Teeth	Thick
30mm	47.5mm		1.5mm
Stahl#			
Update#	SS373 - Score		



ID	OD	#Teeth	Thick
30mm	48mm	100	0.5mm
Stahl#	200-747-01-00		
Update#	SS203 - Slitter		



ID	OD	#Teeth	Thick
30mm	48mm		1.0mm
Stahl#	226-341-02-00		
Update#	SS800 - Slitter		



ID	OD	#Teeth	Thick
30mm	48mm		2.0mm
Stahl#	205-970-05-00		
Update#	SS008 - Slitter		



ID	OD	#Teeth	Thick
30mm	49mm		2.0mm
Stahl#			
Update#	SS383 - Slitter		



ID	OD	#Teeth	Thick
	50mm		0.5mm
Stahl#			
Update#	SS207 - Slitter		



ID	OD	#Teeth	Thick
40mm	59mm		0.8mm
Stahl#	200-742-12-00		
Update#	SS080 - Score		



ID	OD	#Teeth	Thick
40mm	59mm		mm
Stahl#	200-742-12-00		
Update#	SS083 - Score		



ID	OD	#Teeth	Thick
40mm	59.5mm		0.8mm
Stahl#	200-742-09-00		
Update#	SS233 - Score		



ID	OD	#Teeth	Thick
40mm	60mm		0.8mm
Stahl#	200-742-06-00		
Update#	SS283 - Score		



ID	OD	#Teeth	Thick
40mm	60mm		1.0mm
Stahl#			
Update#	SS555 - Slitter		



ID	OD	#Teeth	Thick
40mm	60mm	16	1.5mm
Stahl#	200-753-01-00		
Update#	SS973 - Score		



ID	OD	#Teeth	Thick
40mm	61mm	18	0.8mm
Stahl#	200-742-05-00		
Update#	MN100 - Score		



ID	OD	#Teeth	Thick
40mm	62mm		0.5mm
Stahl#	200-747-03-00		
Update#	MN400 - Slitter		



ID	OD	#Teeth	Thick
40mm	62mm		0.5mm
Stahl#			
Update#	MN453 - Slitter		



ID	OD	#Teeth	Thick
40mm	61.5mm		1.0mm
Stahl#	226-341-03-00		
Update#	MN353 - Slitter		



ID	OD	#Teeth	Thick
40mm	61.5mm		1.5mm
Stahl#			
Update#	SS563 - Score		



ID	OD	#Teeth	Thick
40mm	62mm		2.0mm
Stahl#	205-970-01-00		
Update#	SS005 - Slitter		



ID	OD	#Teeth	Thick
40mm	64mm		0.5mm
Stahl#	200-474-05-00		
Update#	MN911 - Slitter		



ID	OD	#Teeth	Thick
40mm	64mm		1.0mm
Stahl#			
Update#	SS009 - Slitter		



ID	OD	#Teeth	Thick
40mm	64mm		2.0mm
Stahl#	205-970-02-00		
Update#	SS006 - Slitter		



ID	OD	#Teeth	Thick
55mm	77mm		0.5mm
Stahl#	200-742-08-00		
Update#	SS107 - Score		



ID	OD	#Teeth	Thick
55mm	78.5mm		0.5mm
Stahl#	200-747-07-00		
Update#	SS602 - Slitter		



ID	OD	#Teeth	Thick
55mm	79mm		2.0mm
Stahl#	205-972-01-00		
Update#	SS007 - Slitter		